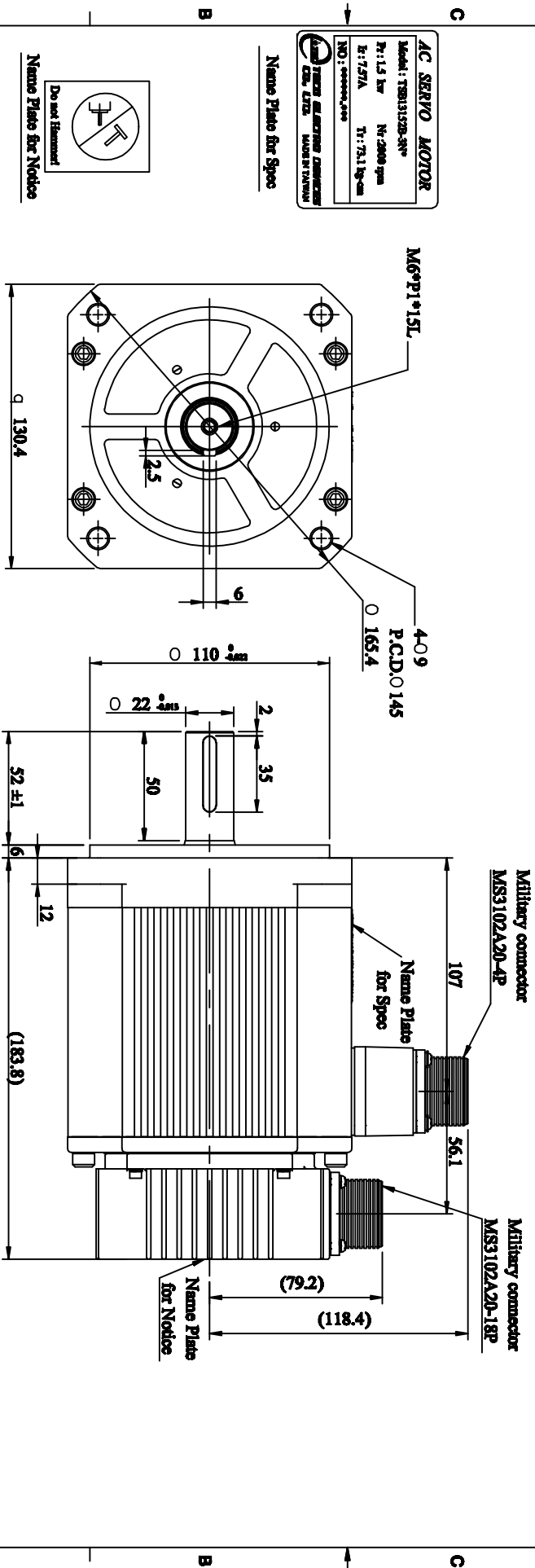


Model: TSB13152B-3N*

No.	Item	Symbol	Unit	Specification	No.	Item	Symbol	Unit	Specification
1	Drive	-	-	Rectangular Wave	13	Rotor Inertia	J-M	kg-cm ²	8.88 ±5%
2	Cooling Method	-	-	Totally Enclosed	14	Rated Power Rate	Q-R	Kw/s	57.8
3	Exciting Method	-	-	Permanent Magnet	15	Resistance	Ra	Ω	0.79±10%/2 φ
4	Resolution	-	-	NOTE2	16	Inductance	L	mH	4.74±10%/2 φ
5	Rated Output	P-R	W	1.5KW	17	Mech. Time Constant	Tm	ms	0.98±10%/2 φ
6	Rated Torque	T-R	N-m	7.164	18	Elect. Time Constant	Te	ms	6±10%
7	Max. Torque	T-max	N-m	21.492	19	Insulation Class	-	-	Class B
8	Rated Speed	N-R	rpm	2000	20	Operation Temp.	T	°C	0-40
9	Rated Current	I-R	A	7.57	21	Operation Humid.	RH	%	<90
10	Max. Current	I-max	A	22.71	22	Storage Temp.	T	°C	-20~-60*
11	Torque Constant	Kt	N-m/A	1.04±10%	23	Storage Humid.	RH	%	<90
12	Back emf (at 1800rpm)	Vemf	Volts	113±10%/2 φ	24	Weight	W	kgw	8.08

Notes:
 1. Motor to be IP67
 (excluding the shaft opening & connectors)
 2. Encoder TYPE:2500ppr,8192ppr
 17bit ,15bit



STANDARD TOLERANCE		APVD		SCALE		UNIT		NAME	
X	±0.5		CHKD	2/5		m	m	Servo Motor Outline Drawing	
XX	±0.2		CHKD	3RD AP				TSB13152B-3N*	
ANGLE	±30'							DPT. Design	
01	1S12B16-02	Brent	11-16-12	DWN	YCL	07-09-10	DTSB13152B3N*		
REV	DESCRIPTION	SIGNATURE	DATE	SIGNATURE	DATE				